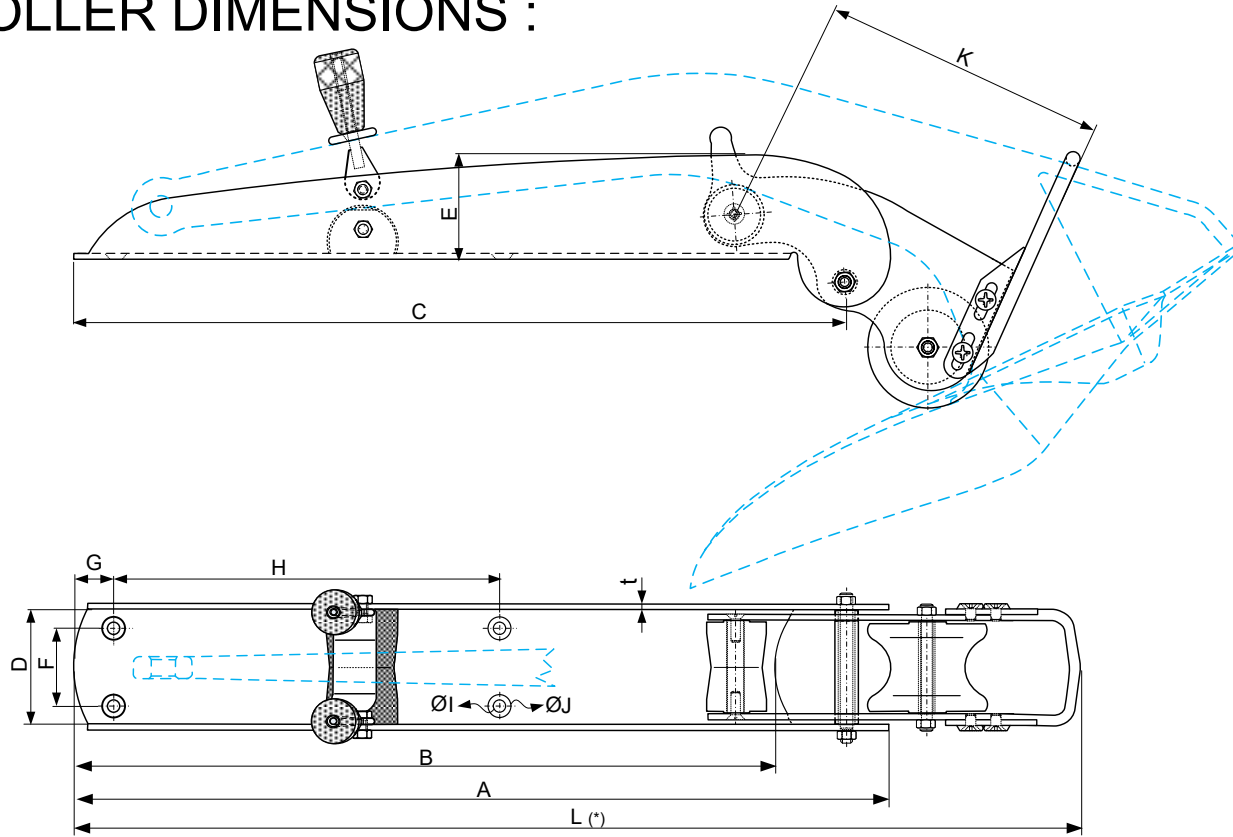


ULTRA BOW ROLLER DIMENSIONS :



Anchor kg/lbs	5/11	8/18	12/26	16/35	21/46	27/60	35/77	45/100	60/132	80/176	100/220	130/290	160/350	200/440
A	15.62	18.27	20.91	23.02	25.19	27.4	29.89	32.48	35.75	39.15	42.4	46.26	49.58	53.41
B	13.47	15.76	18.04	19.85	21.72	23.63	25.78	28.02	29.06	33.94	36.96	39.91	42.76	46.07
C	14.74	17.24	19.74	21.73	23.78	25.87	28.22	30.66	33.75	37.14	40.02	43.68	46.8	50.42
D	2.71	2.54	2.91	3.2	3.51	3.81	4.16	4.52	4.98	5.48	5.9	6.44	6.9	7.43
E	1.99	2.33	2.67	2.93	3.21	3.49	3.81	4.14	4.56	5.01	5.4	5.89	6.31	6.8
K	5.56	6.5	7.44	8.19	8.96	9.74	10.63	11.55	12.71	13.99	15.08	16.45	17.63	19
L(*)	21.1	22.56	25.83	28.39	31.1	33.82	36.89	40.08	44.13	48.58	52.32	57.09	61.22	65.94
t	0.12	0.16	0.16	0.16	0.20	0.20	0.24	0.24	0.24	0.30	0.30	0.30	0.39	0.39

- Dimensions are in inches.

- If dimension "A" or "B" is given together with the order by customer, it can be manufactured in different lengths.

- The bow roller chassis is either manufactured without holes to not let potential problems on mounting and drilled by the customer or it is manufactured with holes, if the dimensions of "F,G,H,I,J" are given together with the order by the customer.

- Dimensions and details might be changed without giving notice.

(*) L ölçüsü mevcut çizim için verilmiş, yaklaşık ölçüdür. Salıncak hareketi ile bu ölçünün değişimleri gösterebileceği dikkate alınmalıdır.