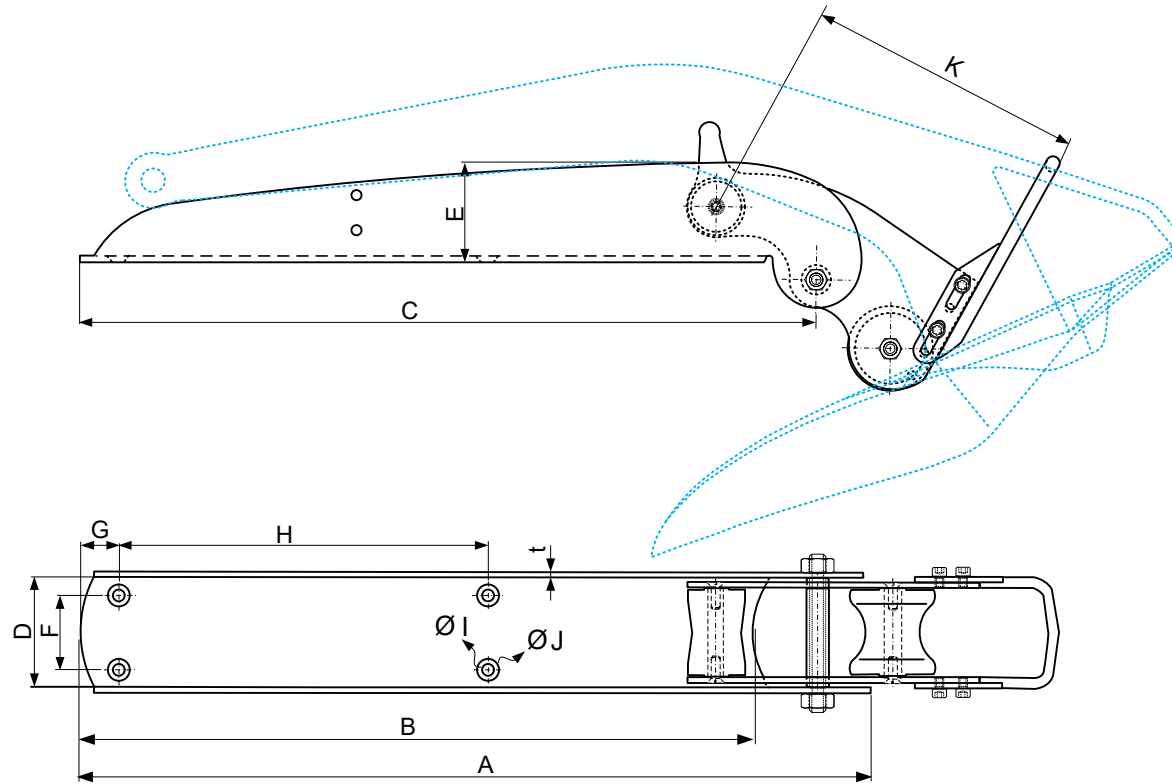


# ULTRA BOW ROLLER DIMENSIONS



Anchor kg →	5	8	12	16	21	27	35	45	60	80	100	130	160	200
A	396,8	464,0	531,2	584,6	639,8	696,0	759,1	825,0	908,0	994,4	1076,9	1175,0	1259,3	1356,7
B	342,1	400,2	458,2	504,2	551,8	600,3	654,7	711,6	738,2	862,0	938,9	1013,7	1086,1	1170,2
C	374,5	438,0	501,5	551,9	604,0	657,0	716,7	778,7	857,2	943,4	1016,6	1109,5	1188,7	1280,7
D	55,2	64,6	74,0	81,4	89,1	96,9	105,7	114,9	126,4	139,1	149,9	163,6	175,3	188,9
E	50,5	59,1	67,7	74,5	81,5	88,7	96,7	105,1	115,7	127,3	137,2	149,7	160,4	172,8
K	141,1	165,0	188,9	207,9	227,5	247,5	269,9	293,4	322,9	355,4	383,0	417,9	447,8	482,5
t	3,0	4,0	4,0	4,0	5,0	5,0	6,0	6,0	6,0	8,0	8,0	8,0	10,0	10,0

- Dimensions are in mm.

- If dimension "A" or "B" is given together with the order by customer, it can be manufactured in different lengths.

- The bow roller chassis is either manufactured without holes to not let potential problems on mounting and drilled by the customer or it is manufactured with holes, if the dimensions of "F,G,H,I,J" are given together with the order by the customer.

- Dimensions and details might be changed without giving notice.